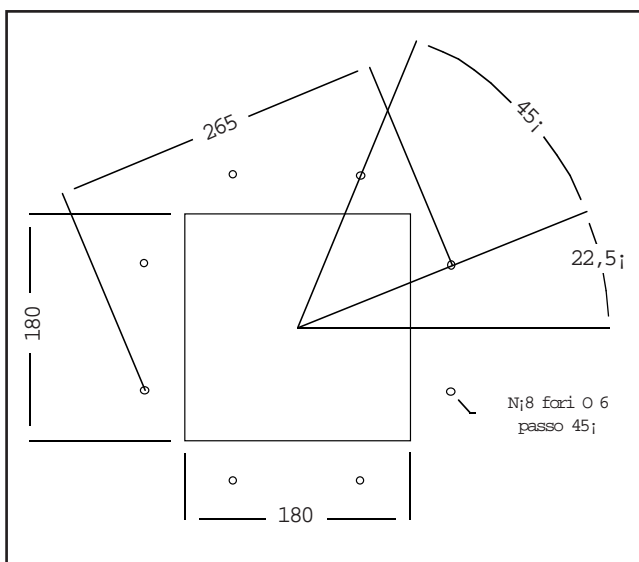
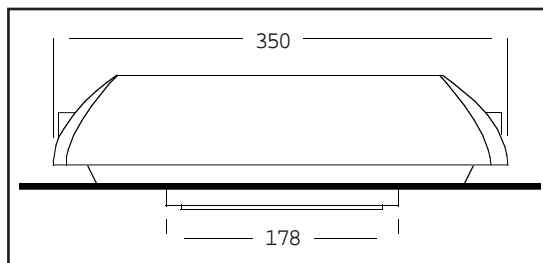
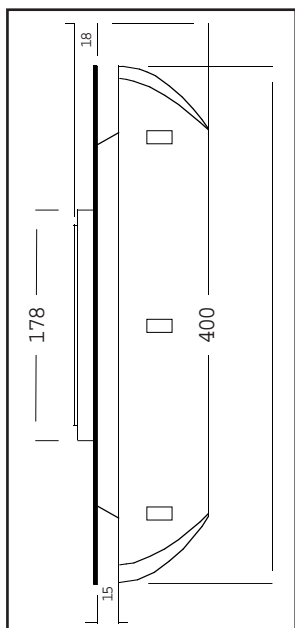
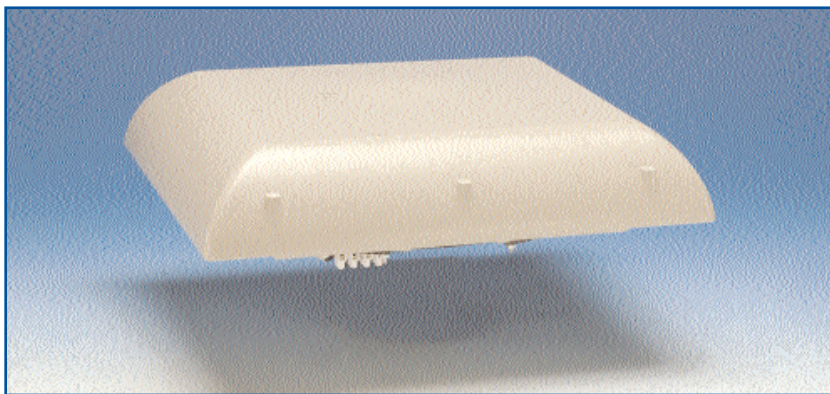


**TORRINO DI ASPIRAZIONE DA TETTO: TORR-TORR 600-TORR 610-TORR 1000-TORR 1010**  
**ROOF EXHAUST FANS: TORR-TORR 600-TORR 610-TORR 1000-TORR 1010**



Modello	Descrizione	Dimensioni mm.	Alimentazione V-Hz	Portata aria m <sup>3</sup> /h	Potenza W	Corrente assorbita A	Rumorosità dB (A)	Portata aria con filtro in uscita * m <sup>3</sup> /h
Model	Description	Dimensions mm.	Feeding V-Hz	Flow rate m <sup>3</sup> /h	Power W	Absorbed current A	Noise level dB (A)	Flow rate with exit filter ** m <sup>3</sup> /h
<b>Alfa TORR</b>	Torrino senza ventilatore Roof exhaust without fan	400x350x102	—	—	—	—	—	—
<b>Alfa TORR 600</b>	Torrino con ventilatore Roof exhaust with fan	400x350x102	230-50/60	600/625	70/90	0.32/0.4	64/65	430/450
<b>Alfa TORR 610</b>	Torrino con ventilatore Roof exhaust with fan	400x350x102	115-50/60	600/625	70/90	0.64/0.8	64/65	430/450
<b>Alfa TORR 1000</b>	Torrino con ventilatore Roof exhaust with fan	400x350x102	230-50/60	1000/1050	120/170	0.5/0.75	72/73	700/720
<b>Alfa TORR 1010</b>	Torrino con ventilatore Roof exhaust with fan	400x350x102	115-50/60	1000/1050	120/170	1/1.5	72/73	700/720

\* Con filtro in entrata Alfa 3000 Ep

\*\* With inlet filter Alfa 3000 Ep